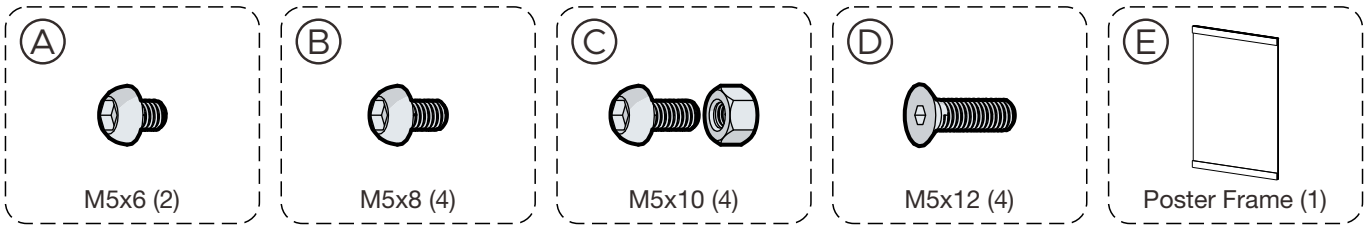
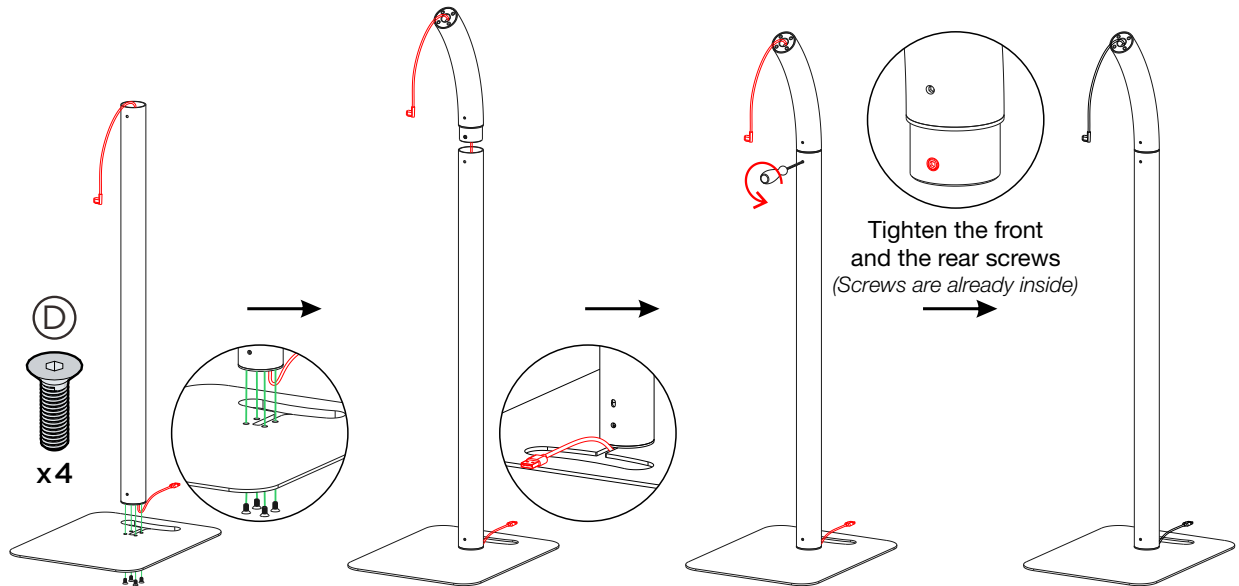


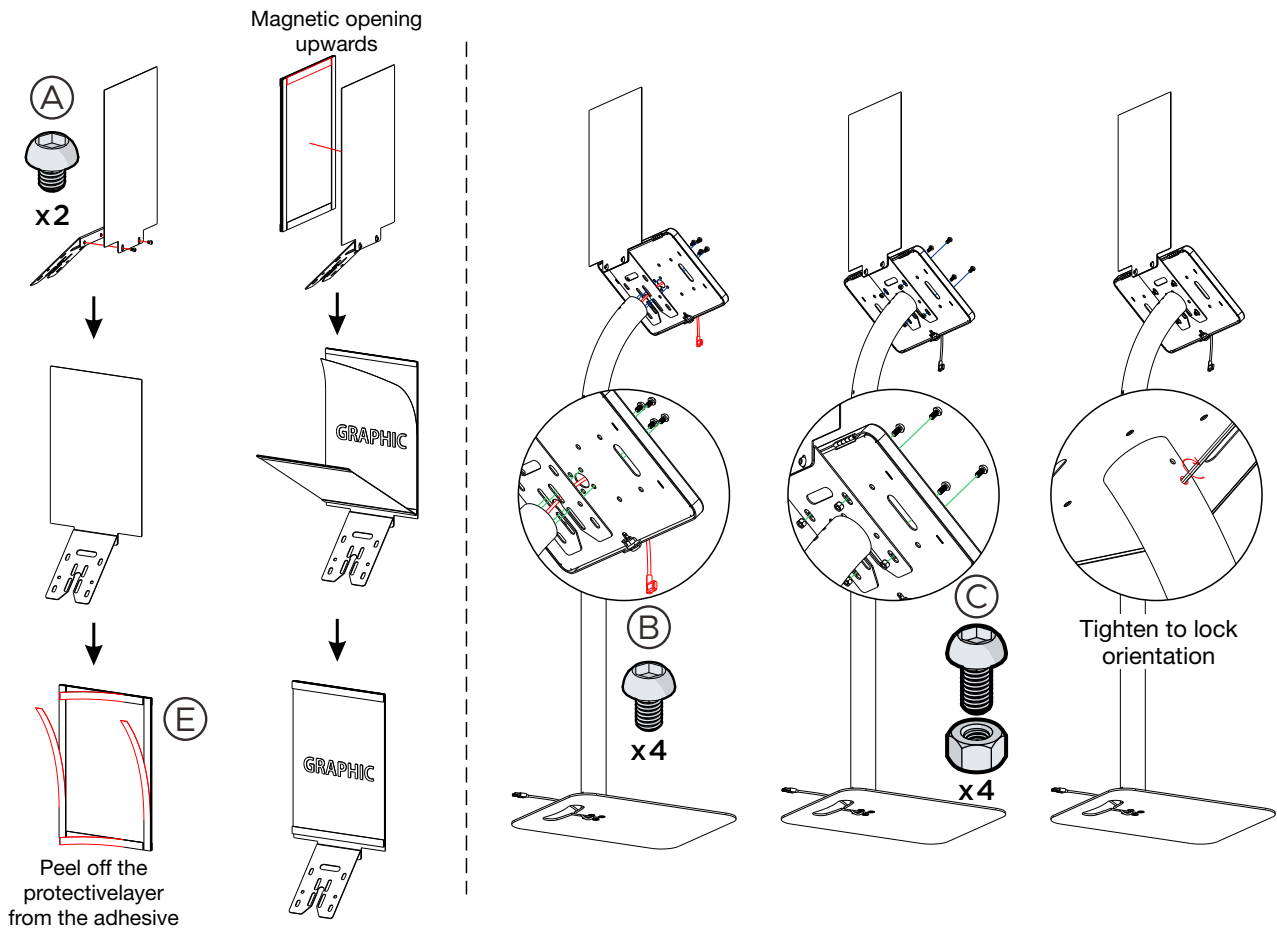
# ASSEMBLY MANUAL



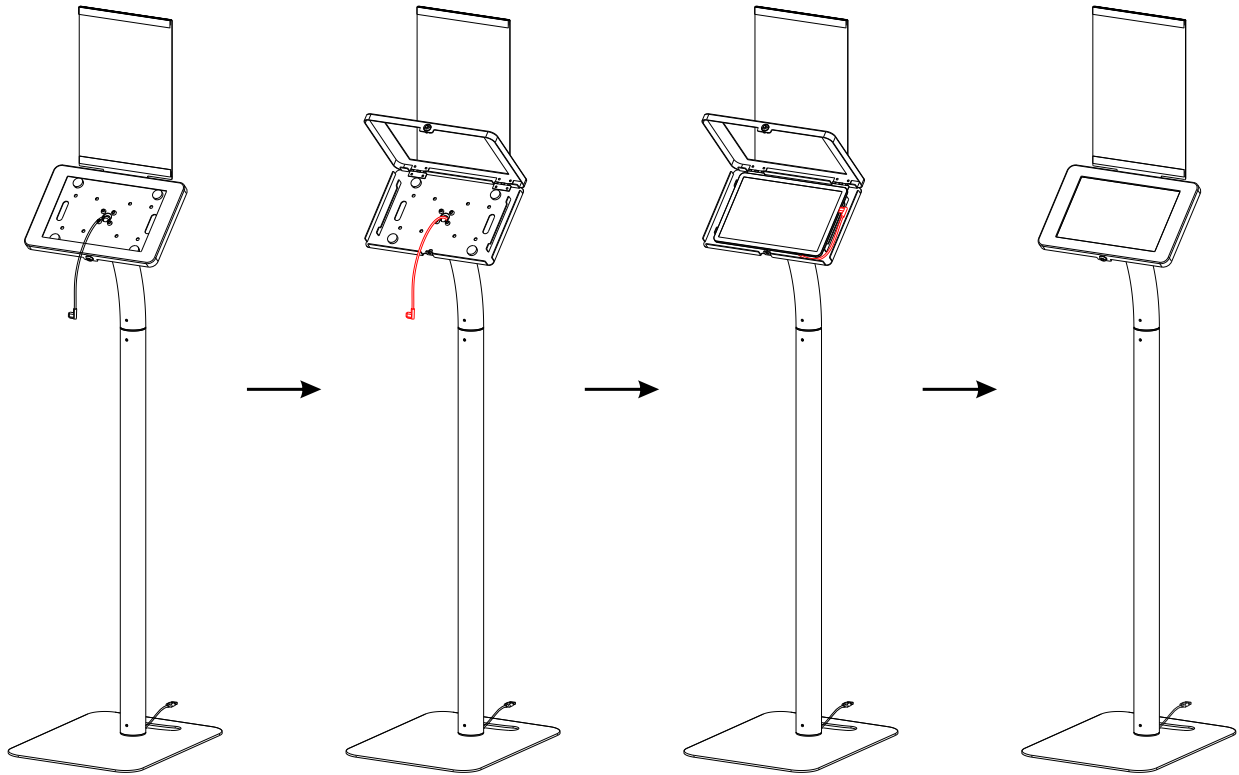
## ASSEMBLE BASE & POLE



## MOUNT POSTER AND TABLET

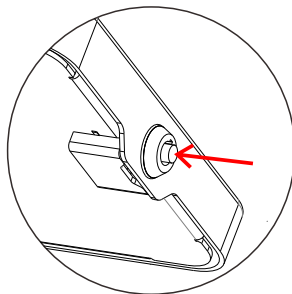


## ADD CHARGE CABLE AND PLACE TABLET



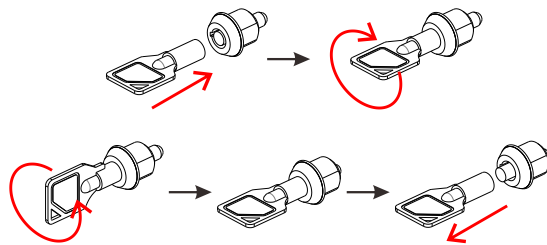
## LOCK TABLET IN PLACE

LOCK



Push to lock

UNLOCK



To remove the key when unlocking, turn back to entry position.  
*(The key can not be removed in other positions)*

## ADJUST THE STAND TO BE USED ON A TABLE

