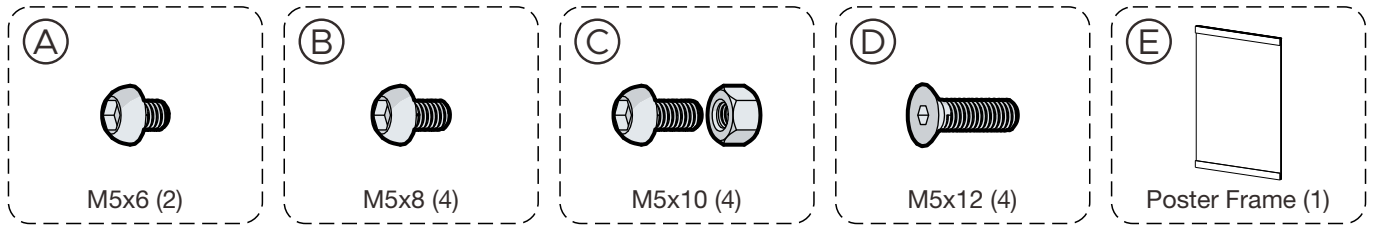
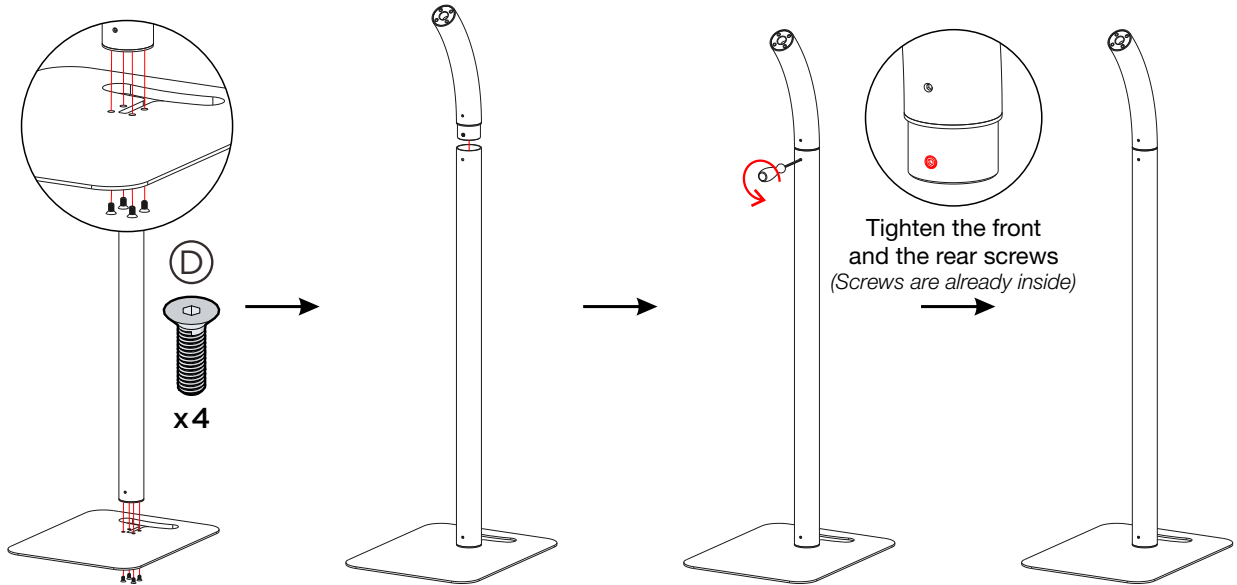


ASSEMBLY MANUAL

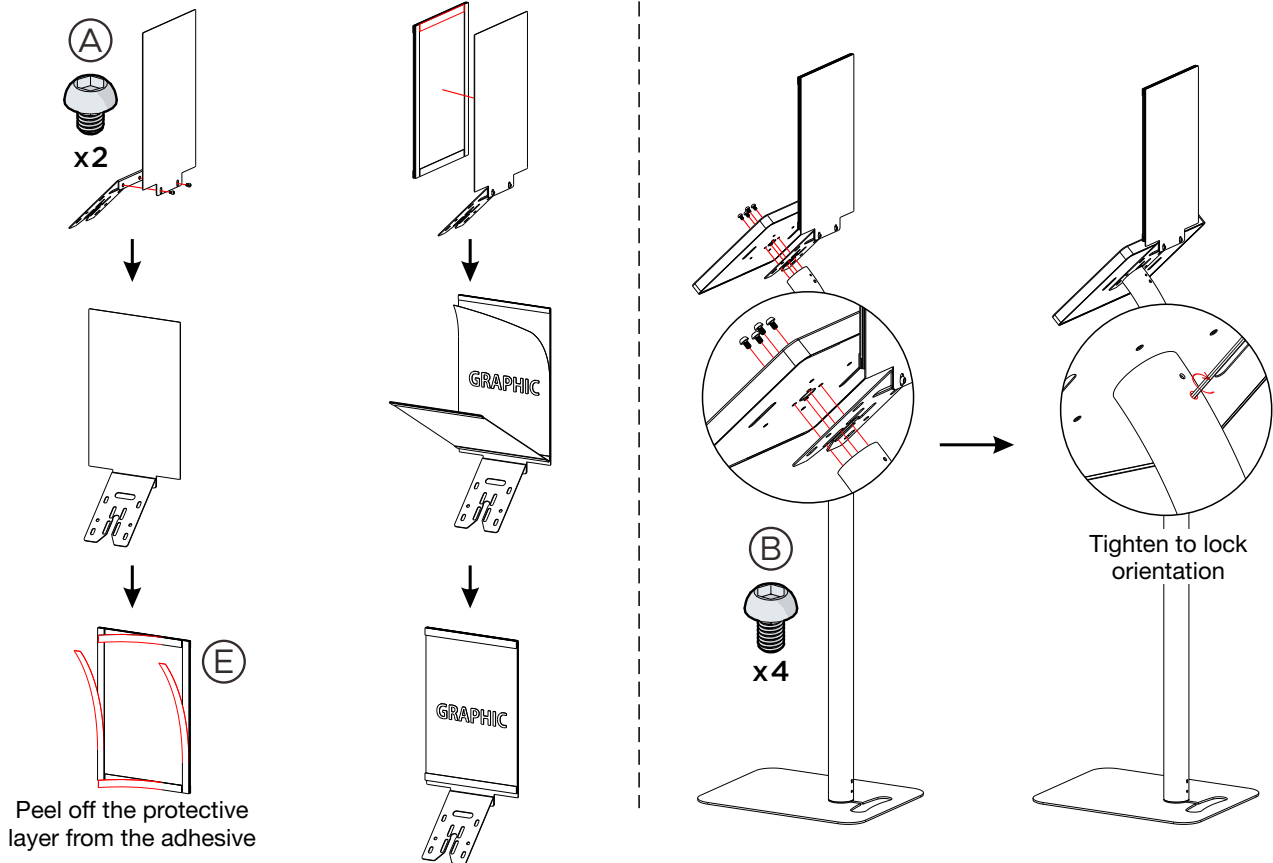


ASSEMBLE BASE & POLE

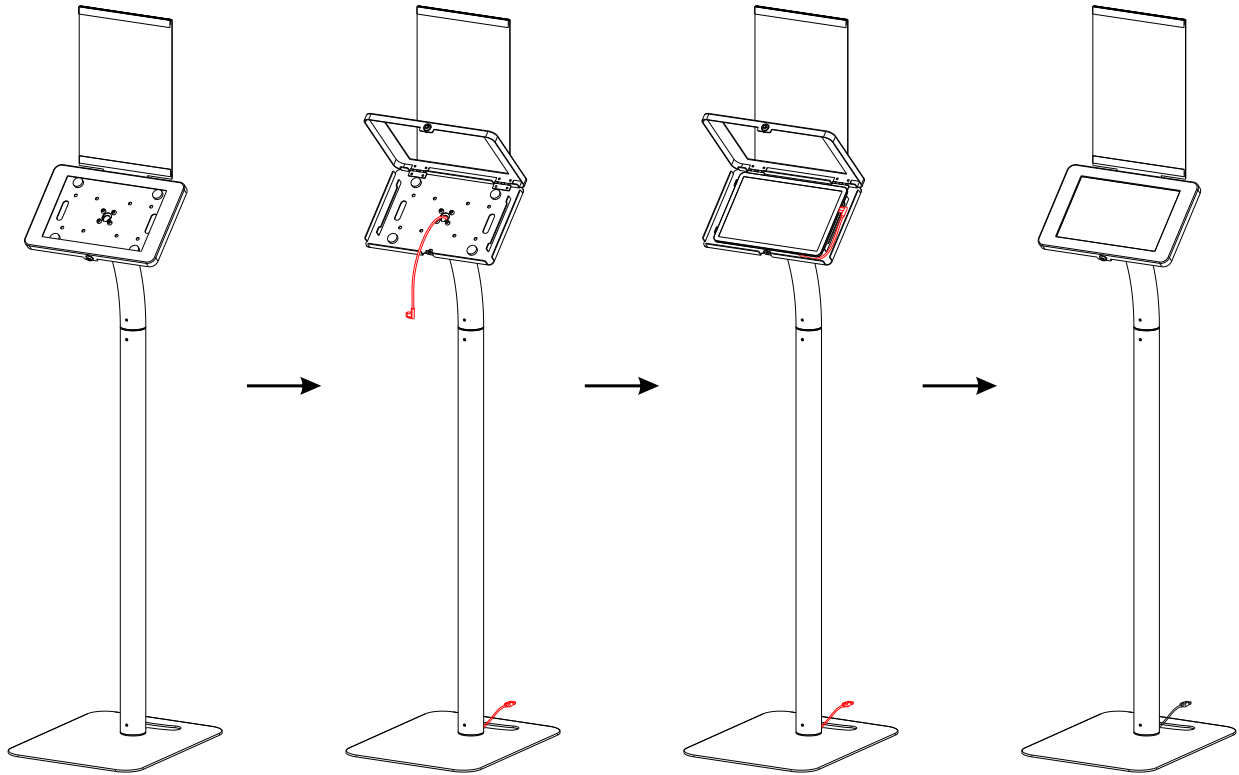


MOUNT POSTER AND TABLET

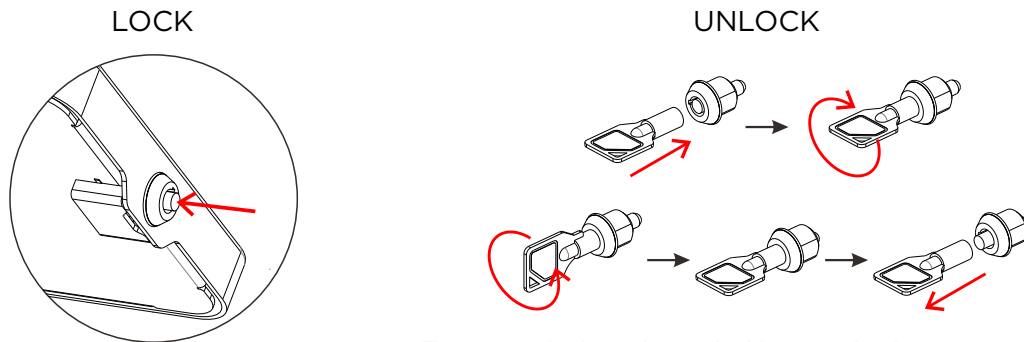
Magnetic opening upwards



ADD CHARGE CABLE AND PLACE TABLET



LOCK TABLET IN PLACE



To remove the key when unlocking, turn back to entry position.
(The key can not be removed in other positions)